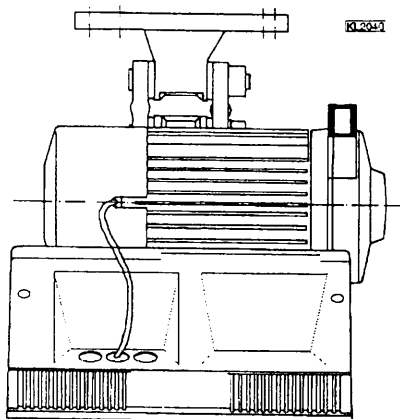


Date: 19/01/98 (EN)

Replacing: AB85A4502

Replaced by:



■ **FIELD OF APPLICATION**

Industrial sewing machines and sewing automats of various manufacturers

■ **CHARACTERISTICS**

The drive receives the commands necessary for its operation from a computer. A socket RS485-BUS is provided for that. Moreover, the control has sockets for the connection of the motor, position transmitter and external actuator.

■ **THE DRIVE OFFERS THE FOLLOWING POSSIBILITIES:**

- Can be controlled and programmed by a RS485 interface
- Communication handling according to ISO 1745
- Direction of rotation and speed profile can be controlled online
- Combined operation by PEDAL / COMPUTER is possible
- Additional hardware bus for time-critical signals
- Control and error status signals
- Baudrate can be selected
- Transfer: 1 start bit, 8 data bits, 1 stop bit

■ **UNIT CONSISTING OF**

- 1 direct current motor type DC.... *1)
- 1 electronic control type N...-AB85A4504 with power pack N157
- 1 position transmitter type P7-1

1 set of standard accessories B131 (consisting of):

- 1 belt guard, complete
- 1 set of hardware
- 1 motor mounting foot
- 1 bracket 1 and 2
- 1 documentation

1 pulley *2)

■ **SPECIAL ACCESSORIES - SEE REVERSE:**

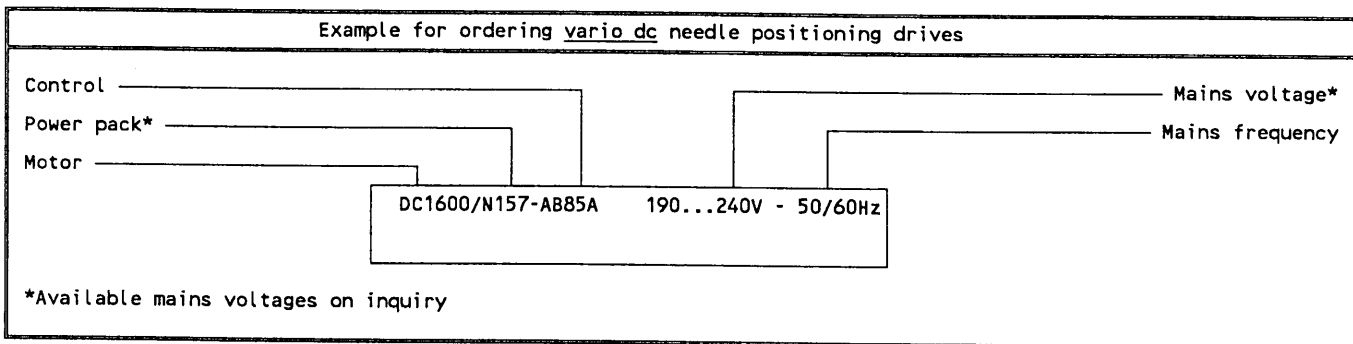
*1) Available motors see reverse

*2) The following sizes are available: B58-L, B63-L, B67-L, B71-L, B75-L, B80-L, B85-L, B90-L, B95-L (pulleys of the sizes 40 and/or 50 mmφ see Special Accessories)

Note: Select the pulley such that the motor runs at approx. 4000 RPM with max. stitch number.

▪ SPECIAL ACCESSORIES, AGAINST EXTRA CHARGE:	Part No.
Mains switch type NS105	available versions see mains switch specification
External actuator type EB301 with approx. 250 mm connecting cable and 5-pin plug with locking screw	41.0011
External actuator type EB302 (softer spring) with approx. 250 mm connecting cable and 5-pin plug with locking screw	41.0012
Foot control type FB301 with one pedal for standing operation with approx. 1400 mm connecting cable and plug	4170013
Foot control type FB302 with three pedals for standing operation with approx. 1400 mm connecting cable and plug	4170018
Potential equalization cord 700 mm long, LIY 2.5 mm ² , grey with forked cable brackets on both sides	1100313
Extension cable for external actuator, approx. 750 mm long, complete with plug and socket connector	1111845
Extension cable for external actuator, approx. 1500 mm long, complete with plug and socket connector	1111787
5-pin plug with locking screw for the connection of another external actuator	0501278
Extension cable for commutation transmitter, approx. 315 mm long, complete with plug and socket connector	1111229
Extension cable for commutation transmitter, approx. 1100 mm long, complete with plug and socket connector	1111584
Extension cable for position transmitter P7-..., approx. 1100 mm long, complete with plug and socket connector	1100409
Extension cable for motor connection, approx. 400 mm long	1111858
Extension cable for motor connection, approx. 1500 mm long	1111857
Pulley 40 mm ϕ with special belt intake and slip-off protection	1112223
Pulley 50 mm ϕ with special belt intake and slip-off protection	1112224
Knee switch type KN3 (pushbutton) with cord of approx. 950 mm length without plug, for switching the functions overleaf	58.0013
Sewing light transformer	please indicate line voltage and sewing light voltage (6.3V or 12V)

▪ AVAILABLE MOTORS



Available motors							
Type	Rated Torque Nm	Maximum Torque Nm	Nominal Speed RPM	Power W	Weight *I) kg	Protection	Notes
DC1600	1.5 at 5000 RPM	6.6 at 1500 RPM	5000	750	8.7	IP 40	

*I) - Weight of the motor with foot, brackets, pulley (ϕ 71) and belt guard

(DOK05/94)

- Weight of the control with actuator, position transmitter and mains switch (according to type) approx. 7.5 kg