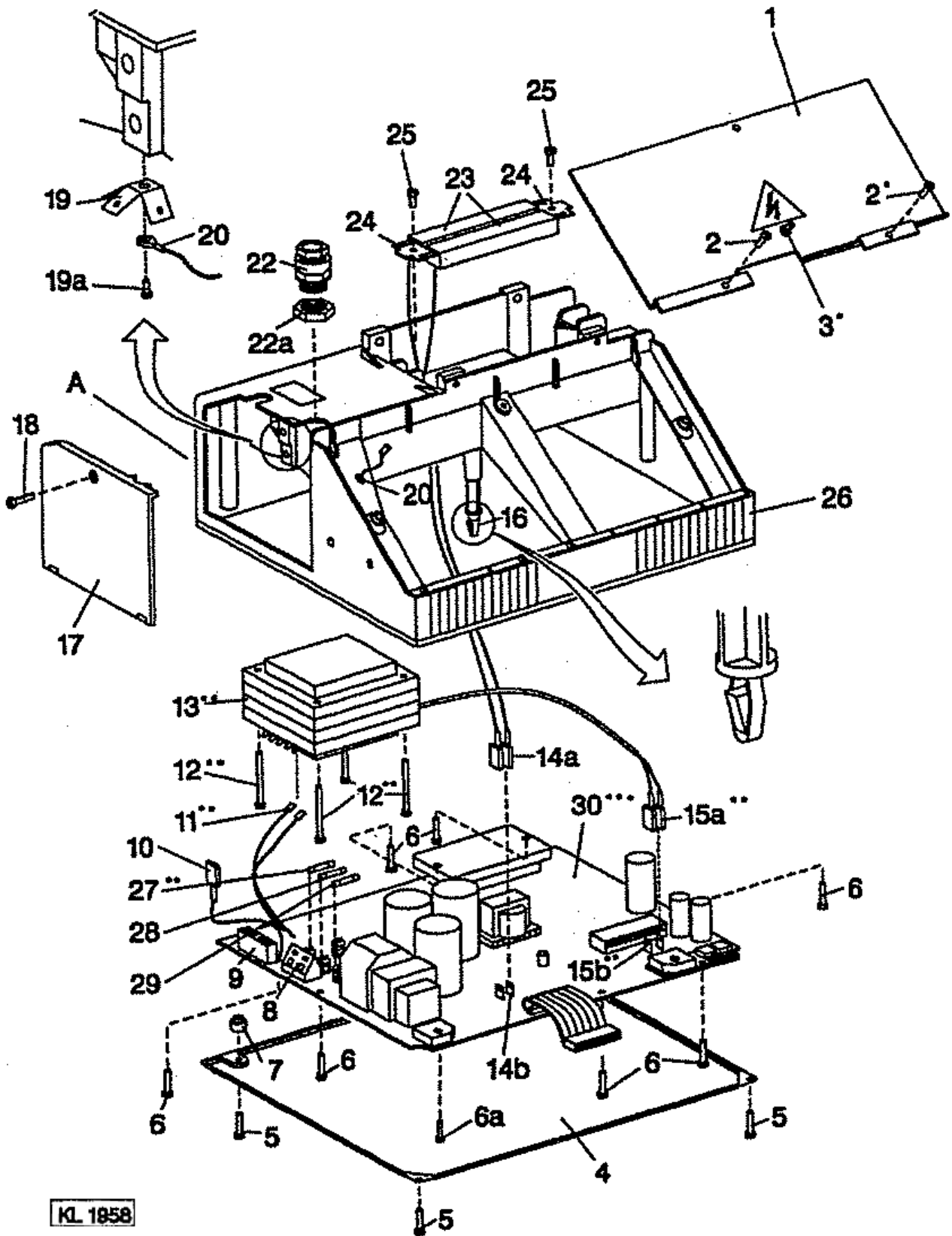


Ersatzteilliste für / Spare parts list for

DC60 & DC62



KL 1858

Nr.	Ident.-Nr.	Ersatzteil	Spare part	Produkt:
No.	Ident.-No.			Product:
10	1112803	NETZTEIL KPL. N158 205/230VY2FB57	POWER SUPPLY, COMPLETE N158 205/230VY2FB57	AB62CV
	1112852	NETZTEIL KPL. N156A 205/230V FB57	POWER SUPPLY, COMPLETE N156A 205/230V FB57	AB60D
26	1747	GEHAEUSE BED. AB62CV FB57	HOUSING, PRINTED AB62CV FB57	
4	200110	DECKEL UMRICHT. DC60	COVER, FREQUENCY CONVERTER DC60	
	101576	DECKEL AB62CV	COVER AB62CV	AB62CV
	101586	DECKEL AB60D	COVER AB60D	AB60D
	101613	ABDECKUNG BEDR. AB62CV1466	COVER, PRINTED AB62CV1466	AB62CV
	101614	ABDECKUNG BEDR. AB60D1467	COVER, PRINTED AB60D1467	AB60D
2; 19a; 25	600016	SPERRZ.SHR. M4X10SPIRALF.KOMBI-TORX	SELF-LOCKING SCREW M4X10 SELF-TAPPING KOMBI-TORX	
5; 6; 18	600015	SPERRZ.SHR. M4X17SPIRALF.KOMBI-TORX	SELF-LOCKING SCREW M4X17 SELF-TAPPING KOMBI-TORX	
6a	600041	SPERRZ.SHR. M3X16 KOMBI-TORX	SELF-LOCKING SCREW M3X16 KOMBI-TORX	
7	100068	ABSTANDSROLLE STECKBAR 6LG 104.09.06	DISTANCE ROLL, PLUGGABLE 6LG 104.09.06	
12	600033	SPERRZ.SHR.M4X50-0,7/16SPIRALF.KTORX	SELF-LOCKING SCREW M4X50- 0,7/16 SELF-TAPPING KOMBI-TORX	AB62CV
12	600475	SPERRZ.SHR. M4X42SPIRALF.KOMBI-TORX	SELF-LOCKING SCREW M4X42 SELF-TAPPING KOMBI-TORX	AB60D
13	1112405	NETZTRAFO MIT LITZEN 205/230V 90VA	POWER TRANSFORMER WITH STRANDS 205V/230V 90VA	AB62CV
13	1112198	NETZTRAFO M. LITZEN 205V/230V 70VA AB60D	POWER TRANSFORMER W. STRANDS 205V/230V 70VA AB60D	AB60D
16	100065	Distanzhalter 25,4/7,9 PA	SPACER 25.4/7.9 PA	
17	101612	DECKEL NETZ.BED.TO,63A/90VA-TR. FB20	COVER POWER SUPPLY, PRINTED TO.63A/90VA FB20	AB62CV
17	101497	DECKEL NETZ.BED.FB20	COVER POWER SUPPLY, PRINTED FB20	AB60D
17	1113528	DECKEL NETZ.BED.FB20 N155/N159 (20A)	COVER POWER SUPPLY, PRINTED FB20 N155/N159 (20A)	AB60D/ AB62CV 110V
	1300958	alte Id.Nr. ersetzt durch:	old part# replaced by:	
22	600361	KABELVERSCHRAUBUNG PG13,5 Nr.5309213	CABLE GLAND PG13.5 NO. 5309213	
22a	1300744	MUTTER M PG13,5	NUT M PG13.5	

		Steckverbinder		Connectors	
19	200111	FLACHSTECKER 3 X 6.3		FLAT PLUG 3 X 6.3	
	501226	EINBAUBUCHSE ABF5W	Nr.2034.9002	JACK PANEL SOCKET ABF5W NO.2034.9002	
	503907	BUCHSENLEISTE 37POL.KPL.		FEMALE CONNECTOR, 37-POLE, COMPLETE	
9	503538	BUCHSENSOCKEL 4POL 180` AMP-NR.826848-3		4-POLE SOCKET HEADER 180` AMP- NO.826848-3	
8	504085	KLEMMENLEISTE 2POL		2-POLE TERMINAL STRIP	
8	500038	ANSCHLUSSKLEMME GSE10/2 2POLIG		TERMINAL GSE10/2 2-POLE	AB60D/ AB62CV 110V
	504190	EINBAUBUCHSE ABF8SNM	Nr.2034.9011	JACK PANEL SOCKET ABF8SNM NO.2034.9011	
	504191	EINBAUBUCHSE ABF7SM	Nr.2034.9009	JACK PANEL SOCKET ABF7SM NO.2034.9009	
		Electronic-Bauteile		Electronic Components	
	500141	IC 74 HC 14D	S014 SMD	IC 74 HC 14D	S014 SMD
	500145	DIODE BA 159 1A 1000V		DIODE BA 159 1A 1000V	
	500162	WIDERST. 18R +/-10% 5,0 W 208-895		RESISTOR 18R +/-10% 5.0 W 208- 895	
	500854	WIDERST. 12R 5,0 W 208-856		RESISTOR 12R 5.0 W 208-856	
	501352	IC LM 317 T		IC LM 317 T	
	501517	DIODE 1N4935 GP		DIODE 1N4935 GP	
	503155	WIDERST. 0R 5% 0,33W 0207		RESISTOR 0R 5% 0.33W 0207	
	503241	DIODE BZW06-5V8 CASE F126(6,35X3,05)		DIODE BZW06-5V8 CASE F126(6.35X3.05)	
	503428	TRANSIST.ZTX600S IN-LINE		TRANSISTOR ZTX600S IN-LINE	
	503592	RESONATOR KBR-16,00 MSATR Fa.AVX		RESONATOR KBR-16.00 MSATR AVX	
	503605	DROSSEL STROMKOMPENS. 1PH 2X2,2MH 7A		CHOKE, CURRENT COMPENSATION 1PH 2X2.2MH 7A	
	503606	DROSSEL STROMKOMPENS. 1PH 2X7,7MH 7A		CHOKE, CURRENT COMPENSATION 1PH 2X7.7MH 7A	
	503993	WIDERST. 10K +/-10% 5,0 W 208-861		RESISTOR 10K +/-10% 5.0 W 208- 861	
	503998	DIODE P6 KE18 A RL CASE 17-02		DIODE P6 KE18 A RL CASE 17-02	
	504002	GLEICHRICHTER KBU 8 K		RECTIFIER KBU 8 K	
	504003	GLEICHRICHTER KBU 6 B		RECTIFIER KBU 6 B	
	504004	RELAIS 16A/250V DECKEL TRANSPARENT		RELAY 16A/250V TRANSPARENT COVER	
	504008	OPTOKOPPLER SFH6136 OPTION146 DIL 8		OPTOCOUPLER SFH6136 OPTION146 DIL 8	
	504067	VARISTOR S14K300 300V		VARISTOR S14K300 300V	
	504090	WIDERST. 56K +/- 5% 3,0 W 590-0		RESISTOR 56K +/- 5% 3.0W 590-0	
	504095	KONDENSATOR 1000 MYF 250V THLHS30X50		CAPACITOR 1000 MYF 250V THLHS30X50	AB60D/ AB62CV 110V

504101	TRANSISTOR MTP10N15L	T0220	TRANSISTOR MTP10N15L T0220
504126	VARISTOR S20K20 20V		VARISTOR S20K20 20V
504129	IC MC 68HC 11A1-FN	PLCC52	IC MC 68HC 11A1-FN PLCC52
504224	TRANSISTOR BC807-25	SOT23 SMD	TRANSISTOR BC807-25 SOT23 SMD
504359	VARISTOR S20K275 275V		VARISTOR S20K275 275V
504384	IC 74 HC 574DW	S020 SMD	IC 74 HC 574DW S020 SMD
504423	TRANSISTOR BC817-25 NPN	SOT23 SMD	TRANSISTOR BC817-25 NPN SOT23 SMD
504431	OPTOKOPPLER PC928	SMD	OPTOCOUPLER PC928 SMD
504432	OPTOKOPPLER PC120 FI	SMD	OPTOCOUPLER PC120 FI SMD
504435	IC UC 3844D SNT-REGLER-16 V	S014 SMD	IC UC 3844D SNT CONTROLLER 16 V S014 SMD
504437	DROSSEL STROMK.3PH 3X70UH +/- 30% 4A		CHOKE, CURRENT COMPENSATION 3PH 3X70UH +/- 30% 4A
504448	DIODE LL103B MINIMELF	SMD	DIODE LL103B MINIMELF SMD
504449	DIODE BY296 100V 2A TRR <500NS		DIODE BY296 100V 2A TRR <500NS
504472	IC LM 393 D 2FACH OPV	SMD	IC LM 393 D DOUBLE OP AMP SMD
504473	VARISTOR ERZV20D621		VARISTOR ERZV20D621
504476	UEBERTR.SPERRW. ETD34-1 35W		TRANSFORMER, FLYBACK CONVERTER ETD34-1 35W
504489	TRIAC BT 136-500D	T0220	TRIAC BT 136-500D T0220
504507	IC LM 324D S014	SMD	IC LM 324D S014 SMD
504517	DIODE BYM11-600 600V,1A,250NS	MELF	DIODE BYM11-600 600V,1A,250NS MELF
504522	IC 74 HC 373ADW 751D-03	S020 SMD	IC 74 HC 373ADW 751D- 03 S020 SMD
504523	IC 34074 D 4FACH OPV	SMD	IC 34074 D QUAD OP AMP SMD
504540	DIODE ZMM 8V2 MINIMELF	SMD	DIODE ZMM 8V2 MINIMELF SMD
504550	GATE-ARRAY MD2001A DC60 (AMI 3LM)		GATE ARRAY MD2001A (AMI 3LM)
504594	TRANSISTOR IRF840 500V 8A T0220		TRANSISTOR IRF840 500V 8A T0220
504595	TRANSISTOR IRFBG30 1000V 3,1A T0220		TRANSISTOR IRFBG30 1000V 3.1A T0220
504596	TRANSISTOR PMBF170	SOT23 SMD	TRANSISTOR PMBF170 SOT23 SMD
504611	POWER-MODUL 6MBI15GS-060IGBT600V/15A		POWER MODULE 6MBI15GS- 060IGBT600V/15A
1100208	alte Id.Nr. ersetzt durch:		old part# replaced by:
23 1100325	WIDERSTANDSMODUL 94R +/-5% 60W KFD-LI		RESISTOR MODULE 94R +/-5% 60W KFD-LI

13	1112405	NETZTRAFO MIT LITZEN 205/230V 90VA	POWER TRANSFORMER WITH STRANDS 205V/230V 90VA	AB62CV
13	1112198	NETZTRAFO MIT LITZEN 205V/230V 70VA	POWER TRANSFORMER WITH STRANDS 205V/230V 70VA	AB60D
13	1100243	NETZTRAFO MIT LITZEN 95...120V UL	POWER TRANSFORMER WITH STRANDS 95...120V UL	AB60D/ AB62CV 110V
27	1304074	SICHERUNGSEINSATZ T0,63	FUSE LINK T0.63	AB62CV
27	1304090	SICHERUNGSEINSATZ 5 X20 T0,5A	FUSE LINK 5 X20 T0.5A	AB60D
	504132	SICHERUNGSEINSATZ 5 X20 T1,6A 19198	FUSE LINK 5 X20 T1.6A 19198	AB60D/ AB62CV 110V
28/2 9	1304084	SICHERUNGSEINSATZ M8A 5X20	FUSE LINK M8A 5X20	
28/2 9	504900	SICHERUNGSEINSATZ 6,3X32 20A No.314020	FUSE LINK 6.3X32 20A NO.314020	AB60D/ AB62CV 110V
30	3113210	GEDR.SCHALTG.AB62CV1466Y7 M.IC PROG	PRINTED CIRCUIT AB62CV1466Y7 W. IC PROG.	
30	3113311	GEDR.SCHALTG.AB60D1472Y8 M.IC PROG	PRINTED CIRCUIT AB60D1472Y8 W. IC PROG.	
30	1113189	GEDR.SCHALTG.AB62CV1466Y3 M.IC PROG	PRINTED CIRCUIT AB62CV1466Y3 W. IC PROG.	AB62CV 110V
30	1113313	GEDR.SCHALTG.AB60D1472Y3 M.IC PROG	PRINTED CIRCUIT AB60D1472Y3 W. IC PROG.	AB60D 110V

Click for Efka



YouTube channel