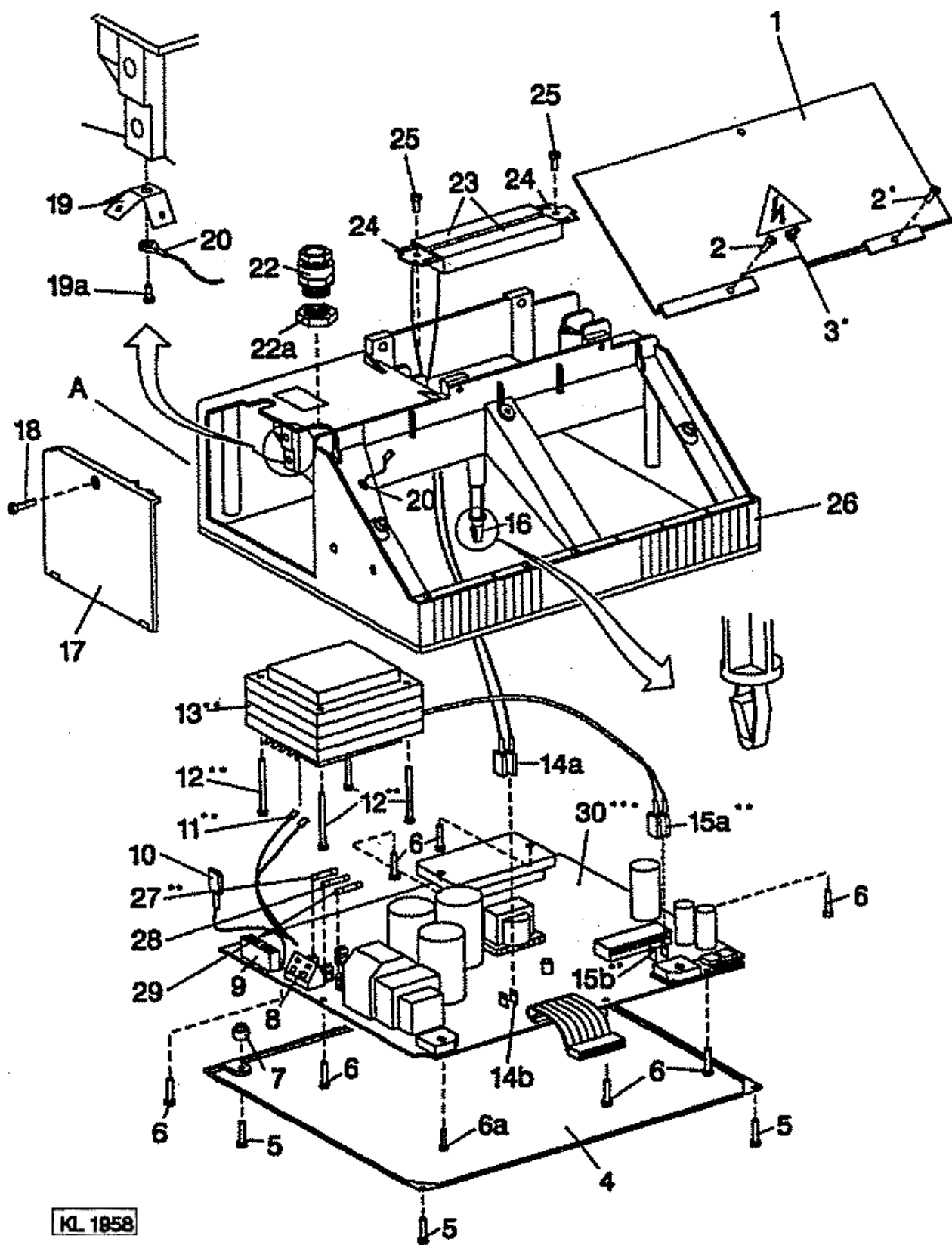


Ersatzteilliste für / Spare parts list for **DC82**



KL 1858

Nr. No.	Ident.-Nr. Ident.-No.	Ersatzteil	Spare part
26	1691	GEHAEUSE BED. DC St.Kst. FB57	HOUSING, PRINTED, DC CONTROL BOX FB57
26	1769	GEHAEUSE BED. N155 FB57	HOUSING, PRINTED, N155 FB57
4	200110	DECKEL UMRICHT. DC60	COVER, FREQUENCY CONVERTER DC60
1	200109	ABSCHIRMBLECH DC60	SHIELD PLATE DC60
2; 19a; 25	600016	SPERRZ.SHR. M4X10SPIRALF.KOMBI-TORX	SELF-LOCKING SCREW M4X10 SELF-TAPPING KOMBI-TORX
5; 6; 18	600015	SPERRZ.SHR. M4X17SPIRALF.KOMBI-TORX	SELF-LOCKING SCREW M4X17 SELF-TAPPING KOMBI-TORX
6a	600041	SPERRZ.SHR. M3X16 KOMBI-TORX	SELF-LOCKING SCREW M3X16 KOMBI-TORX
7	100068	ABSTANDSROLLE STECKBAR 6LG 104.09.06	DISTANCE ROLL, PLUGGABLE 6LG 104.09.06
12	600475	SPERRZ.SHR. M4X42SPIRALF.KOMBI-TORX	SELF-LOCKING SCREW M4X42 SELF-TAPPING KOMBI-TORX
13	1112592	NETZTRAFO MIT LEITUNG 205/230V VDE	POWER TRANSFORMER WITH CABLE 205/230V VDE
13	1100243	NETZTRAFO MIT LITZEN 95...120V UL	POWER TRANSFORMER WITH STRANDS 95.120V UL
16	100065	Distanzhalter 25,4/7,9 PA	SPACER 25.4/7.9 PA
17	101553	DECKEL NETZ.BED.N153Y3;Y4;... FB20	COVER POWER SUPPLY, PRINTED N153Y3;Y4;...FB20
17	1113528	DECKEL NETZ.BED.FB20 N155/N159 (20A)	COVER POWER SUPPLY, PRINTED FB20 N155/N159 (20A)
	1300958	alte Id.Nr. ersetzt durch	old part# replaced by:
22	600361	KABELVERSCHRAUBUNG PG13,5 Nr.5309213	CABLE GLAND PG13.5 NO.5309213
22a	1300744	MUTTER M PG13,5	NUT M PG13.5

Steckverbinder

Connectors

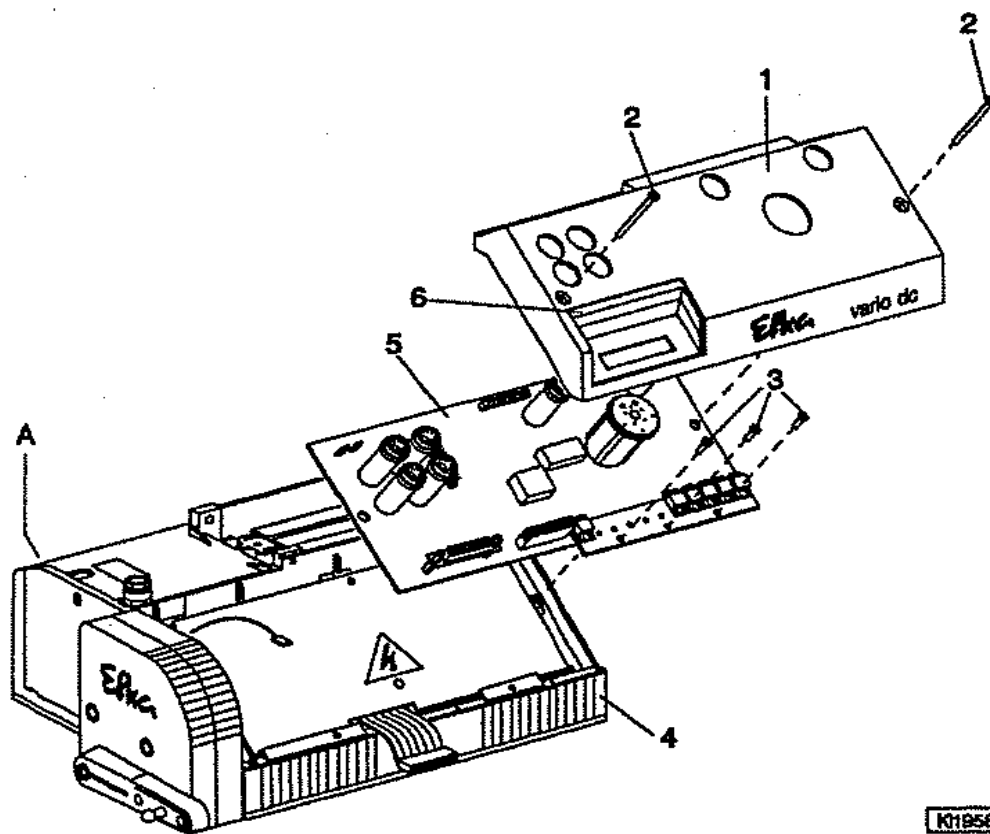
19	200111	FLACHSTECKER 3 X 6.3	FLAT PLUG 3 X 6.3
	501226	EINBAUBUCHSE ABF5W NR.2034.9002	JACK PANEL SOCKET ABF5W NO.2034.9002
	503451	EINBAUBUCHSE ABF8SM NR.2034.9010	JACK PANEL SOCKET ABF8SM NO.2034.9010
9	503538	BUCHSENSOCKEL 4POL 180` AMP-NR.826848-3	4-POLE SOCKET HEADER 180` AMP NO.826848-3
8	504085	KLEMMENLEISTE 2POL	2-POLE TERMINAL STRIP
8	500038	ANSCHLUSSKLEMME GSE10/2 2POLIG	TERMINAL GSE10/2 2-POLE
	504190	EINBAUBUCHSE ABF8SNM Nr.2034.9011	JACK PANEL SOCKET ABF8SNM NO.2034.9011
	504191	EINBAUBUCHSE ABF7SM Nr.2034.9009	JACK PANEL SOCKET ABF7SM NO.2034.9009
	1100256	LP-VERBINDER M.FLACHK.U.VERB.MONT. N153	PCP CONNECTOR W. FLAT CABLE AND CONNECTOR, ASSEMBLED N153

Electronic-Bauteile

Electronic Components

	500093	OPTOKOPLER CNY17-F2 OPT.1+6 DIL	OPTOCOUPLER CNY17-F2 OPT.1+6 DIL
	500127	UEBERTRAGER	TRANSFORMER
	500145	DIODE BA 159 1A 1000V	DIODE BA 159 1A 1000V
	500162	WIDERST. 18R +/-10% 5,0 W 208-895	RESISTOR 18R +/-10% 5.0 W 208-895
	500924	MICRO-TEMPERATURSICHERUNG	MICRO TEMPERATURE FUSE
	501352	IC LM 317 T	IC LM 317 T
	501365	WIDERST.NETZWERK 4X 1K0 EINZELN	RESISTOR NETWORK 4X 1K0 SINGLE
	501517	DIODE 1N4935 GP	DIODE 1N4935 GP
	501539	WIDERST.NETZWERK 8X100K GEMEINSAM	RESISTOR NETWORK 8x100k COMMON
	502432	WIDERST.NETZWERK 4X 10K EINZELN	RESISTOR NETWORK 4X 10K SINGLE
	502565	DIODE 1N4148	DIODE 1N4148
	503075	IC 74 HC 540AN DIL20	IC 74 HC 540AN DIL20
	503235	IC 74 HC 14 DIL14	IC 74 HC 14 DIL14

	503241	DIODE BZW06-5V8 CASE F126(6,35X3,05)	DIODE BZW06-5V8 CASE F126(6.35X3.05)
	503244	IC 74 HC 373N DIL20	IC 74 HC 373N DIL20
	503248	WIDERST.NETZWERK 8X 4K7 GEMEINSAM	RESISTOR NETWORK 8X 4K7 COMMON
	503255	IC 74 HC 273 DIL20	IC 74 HC 273 DIL20
	503274	IC ULN 2804 A	IC ULN 2804 A
	503428	TRANSIST.ZTX600S IN-LINE GEG.TYP:A	TRANSISTOR ZTX600S IN-LINE GEG.TYPE:A
	503592	RESONATOR KBR-16,00 MSATR Fa.AVX	RESONATOR KBR-16.00 MSATR AVX
	503605	DROSSEL STROMKOMPENS. 1PH 2X2,2MH 7A	CHOKE, CURRENT COMPENSATION 1PH 2X2.2MH 7A
	503606	DROSSEL STROMKOMPENS. 1PH 2X7,7MH 7A	CHOKE, CURRENT COMPENSATION 1PH 2X7.7MH 7A
	503611	E-PROM 27C512 TAC<=200NS	E-PROM 27C512 TAC<=200NS
	503622	IC HM 6264 LP-3	IC HM 6264 LP-3
	503962	TRANSISTOR BC327-25 IN-LINE GEGURTET	TRANSISTOR BC327-25 IN-LINE TAPED
	503963	TRANSISTOR BC337-25 ZL1 IN-LINE GEG.	TRANSISTOR BC337-25 ZL1 IN-LINE TAPED
	503971	IC MC 34064 P-5 GEGURTET T0226	IC MC 34064 P-5 TAPED T0226
	503992	VARISTOR S14K275 275V	VARISTOR S14K275 275V
	503998	DIODE P6 KE18 A RL CASE 17-02	DIODE P6 KE18 A RL CASE 17-02
	503999	TRANSISTOR BS170RL1 IN-LINE GEGURTET	TRANSISTOR BS170RL1 IN-LINE TAPED
	504000	TRANSISTOR MTH 6N55 T0218	TRANSISTOR MTH 6N55 T0218
	504001	TRANSISTOR STHV 102 T0218	TRANSISTOR STHV 102 T0218
	504002	GLEICHRICHTER KBU 8 K	RECTIFIER KBU 8 K
	504003	GLEICHRICHTER KBU 6 B	RECTIFIER KBU 6 B
	504004	RELAIS 16A/250V DECKEL TRANSPARENT	RELAY 16A/250V TRANSPARENT COVER
	504006	UEBERTRAGER	TRANSFORMER
	504008	OPTOKOPPLER SFH6136 OPTION146 DIL 8	OPTOCOUPLER SFH6136 OPTION146 DIL 8
	504024	IC LM 324 N	IC LM 324 N
	504067	VARISTOR S14K300 300V	VARISTOR S14K300 300V
	504090	WIDERST. 56K +/- 5% 3,0 W 590-0	RESISTOR 56k 3.0W 590-0
	504101	TRANSISTOR MTP10N15L T0220	TRANSISTOR MTP10N15L T0220
	504126	VARISTOR S20K20 20V	VARISTOR S20K20 20V
	504129	IC MC 68HC 11A1-FN PLCC52	IC MC 68HC 11A1-FN PLCC52
	504179	IC UC 3844N	IC UC 3844N
	504347	GATE-ARRAY UR1055A DC82 DIL40	IC UR1055A DIL40
	504355	GATE-ARRAY GA67A PLCC68	GATE ARRAY GA67A PLCC68
	504437	DROSSEL STROMK.3PH 3X70UH +/- 30% 4A	CHOKE, CURRENT COMPENSATION 3PH 3X70UH +/- 30% 4A
	504489	TRIAC BT 136-500D T0220	TRIAC BT 136-500D T0220
	504545	KONDENS. 330µF/450V +/-20%	CAPAC. 330µF/450V +/-20%
	504095	KONDENSATOR 1000 MYF 250V THLHS30X50	CAPACITOR 1000 MYF 250V THLHS30X50
	504611	POWER-MODUL 6MBI15GS-060IGBT600V/15A	POWER MODULE 6MBI15GS-060IGBT600V/15A
	504005	POWER-MODUL MG15J6ES40 IGBT 600V/15A	POWER MODULE MG15J6ES40 IGBT 600V/15A
	1100208	alte Id.Nr. ersetzt durch	old part# replaced by:
23	1100325	WIDERSTANDSMODUL 94R +/-5% 60W KFD-LI	RESISTOR MODULE 94R +/-5% 60W KFD-LI
20	1111889	LITZE KPL. UL	STRAND, COMPLETE UL
13	1112592	NETZTRAFO MIT LEITUNG 205/230V VDE	POWER TRANSFORMER WITH CABLE 205/230V VDE
13	1100243	NETZTRAFO MIT LITZEN 95...120V UL	POWER TRANSFORMER WITH STRANDS 95...120V UL
27	1300922	SICHERUNGSEINSATZ T1,25 5X20 34.3989	FUSE LINK T1.25 5x20 34.3989
27	504132	SICHERUNGSEINSATZ 5 X20 T1,6A 19198	FUSE LINK 5 X20 T1.6A 19198
28/ 29	1304084	SICHERUNGSEINSATZ M8A 5X20	FUSE LINK M8A 5X20
28/ 29	504900	SICHERUNGSEINSATZ 6,3X32 20A No.314020	FUSE LINK 6.3X32 20A NO.314020
30	3113071	GEDR.SCHALTG.UM.N153Y7	PRINTED CIRCUIT FREQUENCY CONVERTER N153Y7
30	3111963	GEDR.SCHALTG.UM.N155 (110V)	PRINTED CIRCUIT FREQUENCY CONVERTER N155 (110V)



N1858

4	3112556	NETZTEIL KPL. N153	205/230VY6FB57	POWER SUPPLY, COMPLETE N153	205/230VY6FB57
4	3112557	NETZTEIL KPL. N155	95..120VY1FB57	POWER SUPPLY, COMPLETE N155	95..120VY1FB57
5	3112374	GEDR.SCHALTG.AM82MV3202Y3	M.IC PROG	PRINTED CIRCUIT AM82V3202Y3	W. IC PROG.
5	3112377	GEDR.SCHALTG.AM82MV3205Y3	M.IC PROG	PRINTED CIRCUIT AM82MV3205Y3	W. IC PROG.
5	3112508	GEDR.SCHALTG.DA820V3233Y2	M.IC PROG	PRINTED CIRCUIT DA820V3233Y2	W. IC PROG.
5	3113080	GEDR.SCHALTG.AB85A4504Y3	M.IC PROG	PRINTED CIRCUIT AB85A4504Y3	W. IC PROG.
5	3113128	GEDR.SCHALTG.2A82MV2309Y2	M.IC PROG	PRINTED CIRCUIT 2A82MV2309Y2	W. IC PROG.
5	3113580	GEDR.SCHALTG.DA82CV3232Y5	M.IC PROG	PRINTED CIRCUIT DA82CV3232Y5	W. IC PROG.
5	3113581	GEDR.SCHALTG.DA82CV3255Y5	M.IC PROG	PRINTED CIRCUIT DA82CV3255Y5	W. IC PROG.
5	3113587	GEDR.SCHALTG.JU82BV3305Y4	M.IC PROG	PRINTED CIRCUIT JU82BV3305Y4	W. IC PROG.
5	3113595	GEDR.SCHALTG.PF82AV3304Y5	M.IC PROG	PRINTED CIRCUIT PF82AV3304Y5	W. IC PROG.
5	3113598	GEDR.SCHALTG.FP82AV3235Y3	M.IC PROG	PRINTED CIRCUIT FP82AV3235Y3	W. IC PROG.
5	3113601	GEDR.SCHALTG.ST82CV3240Y3	M.IC PROG	PRINTED CIRCUIT ST82CV3240Y3	W. IC PROG.
5	3113607	GEDR.SCHALTG.DA82GA3316Y2	M.IC PROG	PRINTED CIRCUIT DA82GA3316Y2	W. IC PROG.

Click for Efka



YouTube channel