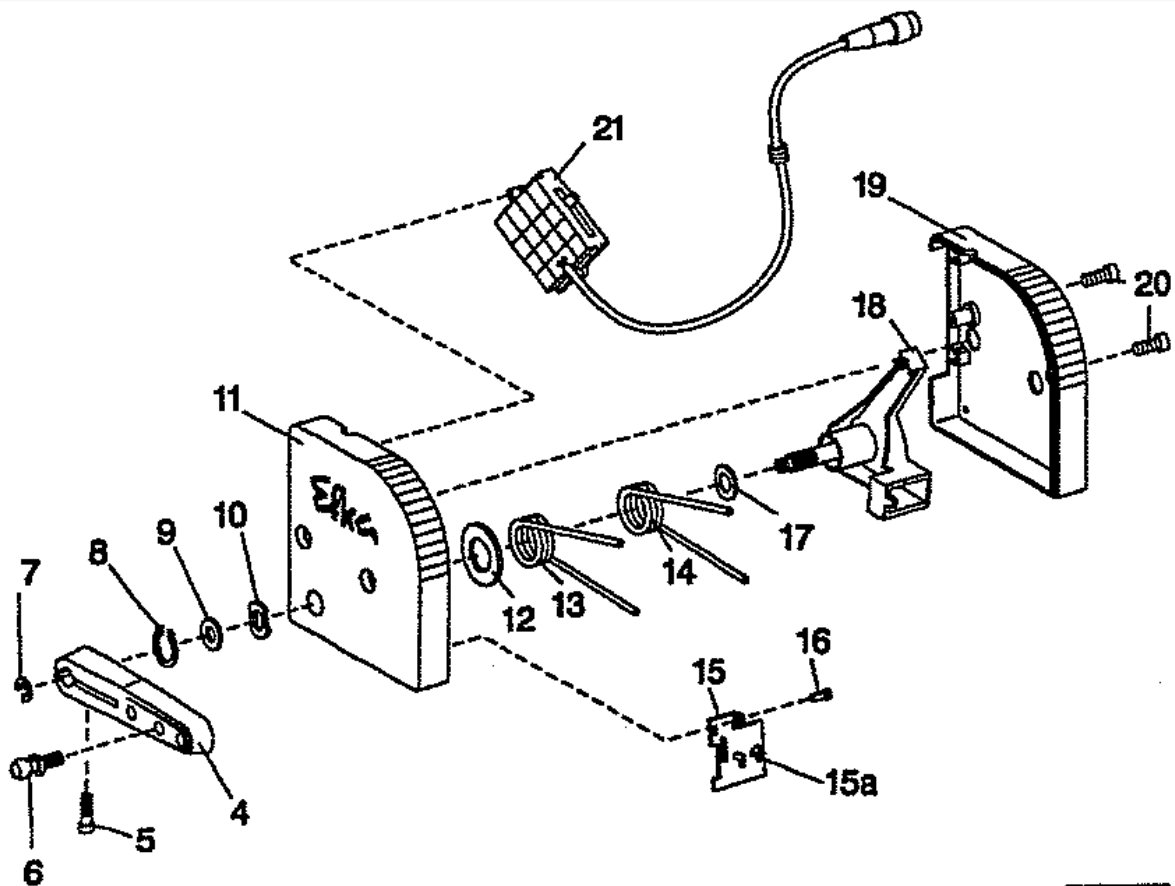


Ersatzteilliste für / Spare parts list for

EB301 & EB302



KL 1960

| Nr. No. | Ident.-Nr. Ident.-No. | Ersatzteil | Spare part |
|-------------------|--------------------------|---|---|
| 1 | 4170011 | SOLLWERTGEBER EB301 | ACTUATOR EB301 |
| | 4170014 | EXT.SOLLWTGEB. EB301/1560 | EXTERNAL ACTUATOR EB301/1560 |
| | 4170012 | SOLLWERTGEBER EB302 | ACTUATOR EB302 |
| | 4170015 | EXT.SOLLWTGEB. EB302/1560 | EXTERNAL ACTUATOR EB302/1560 |
| | 4170023 | EXT.SOLLWTGEB. EB301A/1560 AB220A | EXTERNAL ACTUATOR EB301A/1560 AB220A |
| | 4170024 | EXT.SOLLWTGEB. EB302A/1560 AB220A | EXTERNAL ACTUATOR EB302A/1560 AB220A |
| 2 | 600477 | SPERRZ.SHR. CM6X50/14-KA KOMBI-TORX T25 | SELF-LOCKING SCREW CM6X50/14-KA KOMBI-TORX T25 |
| 4;5; 6 | 3112749 | AUSSENHEBEL M.KUGELZ.U.ZYLSCHR. FB57 (ex .0-447) | OUTER LEVER W BALL STUD + CYL.HEAD SCREW FB57 (ex.0-447) |
| 5 | 1300705 | ZYLINDERSCHRAUBE M 4 X 16 | CYLINDER HEAD SCREW M 4 X 16 |
| 6 | 1300948 | KUGELZAPFEN A10-DIN71803 M.TUFLOCKFL | BALL STUD A10-DIN71803 W. TUFLOCK SPOT |

| | | | |
|-----------|-----------|--|--|
| 7 | 1300924 | SICHERUNGSSCHEIBE 6 | <i>LOCK WASHER 6</i> |
| 8 | 1300598 | SICHERUNGSRING 10X1 | <i>SNAP RING 10X1</i> |
| 9 | 201469 | PASSSCHEIBE PS 10X16X1 | <i>WASHER PS 10X16X1</i> |
| 10 | 201023 | AUSGLEICHSCHEIBE 10,5X15,8X0,2 1,7H | <i>SPACER 10.5X15.8X0.2 1.7H</i> |
| 11 | 1111629 | LAGERGEHAEUSE EB301, VORMONTIERT | <i>BEARING HOUSING EB301, PREASSEMBLED</i> |
| 12 | 101470 | ANLAUFSCHIEBE | <i>STOP DISC</i> |
| 13 | 700135 | DREHFEDER 2,6 EB301 | <i>TORSION SPRING 2.6 EB301</i> |
| 13 | 700134 | DREHFEDER 2,5 EB302 | <i>TORSION SPRING 2.5 EB302</i> |
| 14 | 700135 | DREHFEDER 2,6 EB301 | <i>TORSION SPRING 2.6 EB301</i> |
| 14 | 700134 | DREHFEDER 2,5 EB302 | <i>TORSION SPRING 2.5 EB302</i> |
| 15 | 206539 | FUEHRUNGS-U. ANSCHLAGBLECH (46LANG) | <i>GUIDE AND STOP PLATE (46LONG)</i> |
| 16 | 600016 | SPERRZ.SHR. M4X10SPIRALF.KOMBI- TORX | <i>SELF-LOCKING SCREW M4X10 SELF-TAPPING KOMBI-TORX</i> |
| 17 | 1304079 | entfällt | <i>not applicable</i> |
| 18 | 1201057 | INNENHEBEL MIT WELLE, TROWALISIERT EB301 (ex 0-165) | <i>INNER LEVER WITH SHAFT, POLISHED EB301 (ex 0-165)</i> |
| 19 | 101431 | GEHAEUSEDECKEL EB301 | <i>HOUSING COVER EB301</i> |
| 20 | 600479 | SPIRALFORMSCHR.KOMBI- TORX M4X26 | <i>SELF-TAPPING SCREW KOMBI- TORX M4X26</i> |
| | (1111786) | KODIERSCHALTER M. LEITUNG KPL.EB301 | <i>CODING SWITCH W. CABLE, COMPLETE EB301</i> |
| 21 | 1113664 | KODIERSCHALTER M.LEITG. EB301/1560 | <i>CODING SWITCH W. CABLE EB301/1560</i> |
| | 1113820 | KODIERSCHALTER M.LEITG. EB301A | <i>CODING SWITCH W. CABLE EB301A</i> |
| | (1111787) | VERL.LEITG.EB30. (1500LG)AN FKV/VARIO DC | <i>EXTENSION CABLE EB30 (1500LONG) ON FKV/VARIO DC</i> |
| | 1113151 | VERL.LEITG.ENCODER-DC1500/EB301A 1000LG | <i>EXTENSION CABLE ENCODER DC1500/EB301A 1000LONG</i> |

Click for Efka



YouTube channel