



motion by innovation



**Energy-Saving  
and Noiseless**

Also available for sewing automats:

AB222A/DC1500 - AB322A/DC1550

AB221A / DC1500

AB321A / DC1550

WWW.EFKA.NET



FRANKL & KIRCHNER GMBH & CO. KG  
SCHEFFELSTRASSE 73 • 68723 SCHWETZINGEN  
Tel.: 06202 2020 • Fax: 06202 202115  
E-Mail: info@efka.net • www.efka.net



OF AMERICA INC.  
3715 NORTHCREST ROAD SUITE 10  
ATLANTA GEORGIA 30340  
Phone: +1 (770) 457-7006 Fax: +1 (770) 458-3899  
E-mail: efkaus@bellsouth.net



ELECTRONIC MOTORS SINGAPORE PTE. LTD.  
67, AYER RAJAH CRESCENT 05-03  
SINGAPORE 139950  
Phone: +65 67772459 Fax: +65 67771048  
E-mail: efkaems@efka.net

**Standard Accessory:**

- External actuator EB401



**Special Accessories:**

- Control Panels with Integrated Thread Monitor Function

- variocontrol VB10 for easy switching of functions
- variocontrol VB20 with additional programming of up to 99 patterns and up to 99 seams (depending on memory assignment)
- variocontrol VB50 as VB20 with full-text display



- Pedal with actuator FB302B for standing operation



FB302B



HSM001

- Pulse encoder IPG001
- Position sensor HSM001
- Undertable mounting kit
- Light barrier module LSM002
- Stepping motor control SM210A



SM210A



IPG001

LSM002

**Functions:**

- Universally usable for:
  - Lockstitch** - Pfaff, Dürkopp Adler, Toyota, Brother, Juki, Singer, Refrey, Macofrey
  - Lockstitch (medium to heavier duty)** - Dürkopp Adler, Pfaff, Juki, Brother
  - Chainstitch** - All brands
  - Overlock** - All brands, feed-off-the-arm machines e. g. Yamato
  - Backlatch** - Pegasus, Yamato
  - Stitch lock** - Pegasus, Yamato
- Adapter cords for various sewing machine brands are available*
- User-customized programming of functions
- Flexible programming of seams
- Digital programming directly on the control box
- Programmable light barrier functions
- Output signals for use on sewing automats
- Optional control panels V810, 820 and V850
- Serial interface for PC connection
- Flash technology, no Eprom
- Conventional motor mounting under the sewing table by means of a motor mounting foot (undertable mounting kit)
- Use of V-belts and different transmission ratios are possible
- Short-circuit proof signal outputs with overload protection
- 10 individually programmable switch inputs
- Separate knee switch connection for KN19
- Synchronous operation of 2 drives
- Can be extended to up to 5 stepping motor shafts
- Operating hours counter
- Machine operating time monitoring with optical or acoustic signal for machine maintenance

**AB221A/AB321A**

- 13 outputs
- 10 inputs
- 2 analog inputs

**AB222A/AB322A**

- 21 outputs
- 24 inputs
- 2 analog inputs
- 2 digital-analog converters 0-10 V

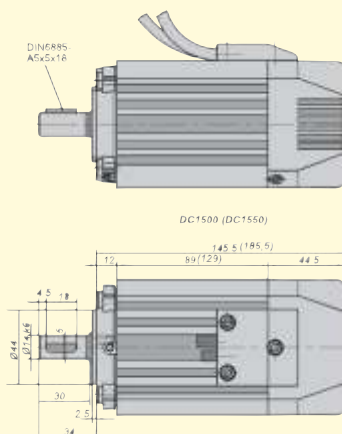
**Direct Mounting**



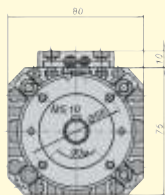
**Undertable Mounting**



- Mounting kits available for Pegasus EX/EXT, W500/W600, W1500, W2600, M700

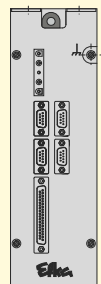
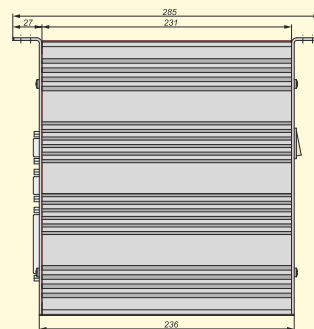
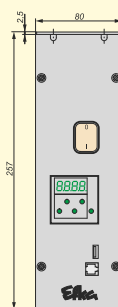


DC1500 (DC1550)

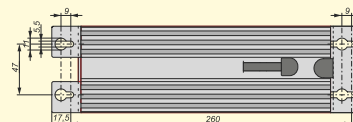


Weight of motor:  
DC1500 - 2.125 kg  
DC1550 - 3.120 kg

KL2312



Weight of control:  
4.3 kg



KL2550